

Proximity sensor

Description:

Proximity switch sensor, mainly used for the detection of the target and the location of the object, is divided into inductive, capacitive, reed sensor, photoelectric, ultrasonic and other forms, can detect metal, nonmetal, liquid and other materials.



Application:

- * Various location detection of machinery process center
- * Bottle lid detection
- * Stopper detection of grinding machine
- * Arm location detection of robot
- * Spacing detection
- * Inspection of the existing of milk inside the paper package

Features:

- Compact volume
- high precision of repeated location
- Diversified exterior structures
- Good performance of anti-interference.
- Many output forms
- High on-off frequency.
- Wide voltage range
- Dust proof,vibration proof,water proof and oil proof.
- With short-circuit protection and inverted connecting protection.
- Long service life

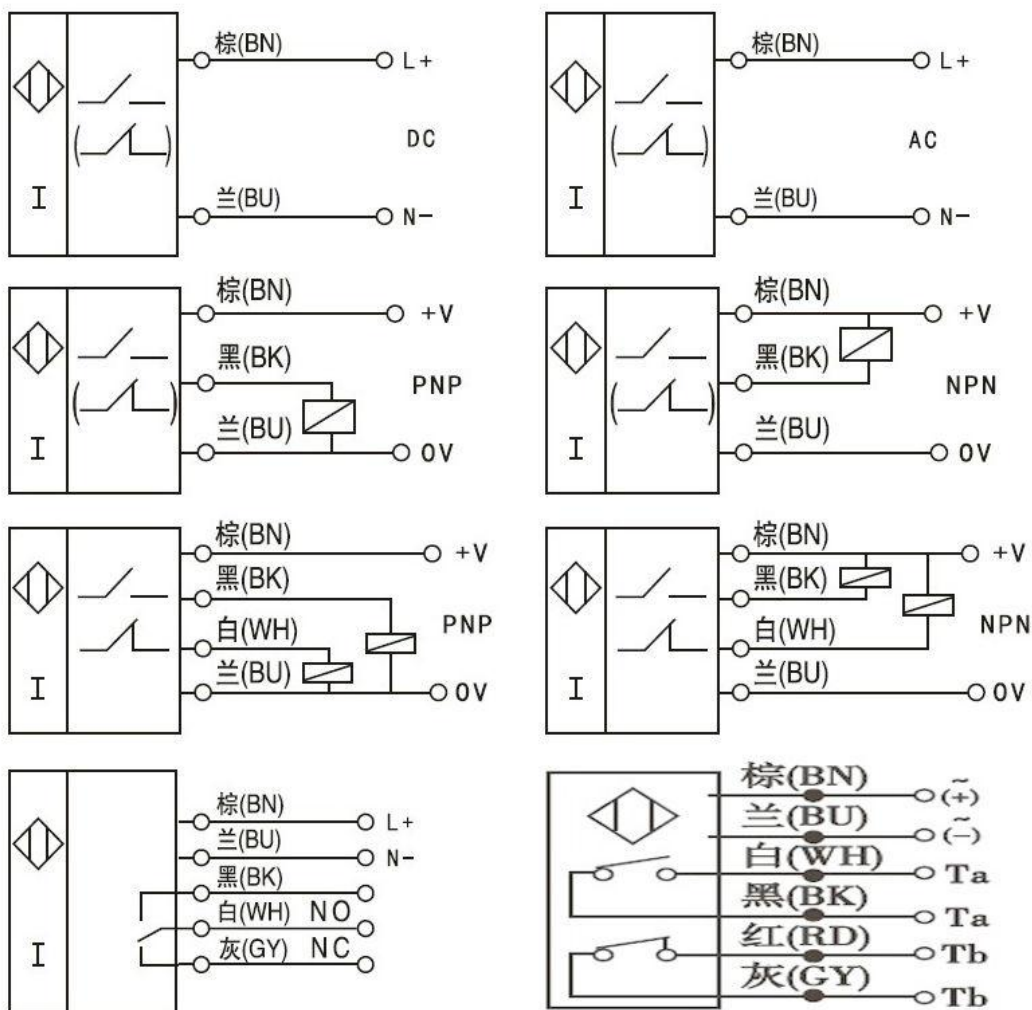


Model Selection:

Model		LJ	
		Sensing method C: Capacitive type G: Reed pipe type	
		Diameter: 12: dia 12mm 18: dia 18mm 30: dia 30mm	
		Structure A3: Cylindrical spiral metal housing A4: Cylindrical spiral plastic housing	
		Sensing Distance B: 1-8mm T: 1-12mm H: 1-15mm K: 1-25mm 1: 1mm 4: 4mm 8: 8mm	
		Power supply Z: direct-current (DC) 6-36V Z1: direct-current (DC) 30-65V J: alternating current (AC) 90-250V J1: alternating current (AC) 300-400V	
		Output A: 3 wire NC B: 3 wire NO C: 4 wire NO and NC D: 2 wire NC E: 2 wire NO	
		Output current X: NPN DC 200mA Y: PNP DC 200mA Z: 400mA M: 500mA W: 1500mA	

:

Installation



Applications legend

<p>1、Various position detection in machining centre</p>	<p>2、Action sequence cam detection</p>	<p>3、Pulser</p>
<p>Cylindrical type proximity switch</p>	<p>Flat type proximity switch</p>	<p>Slot type proximity switch</p>
<p>4、Bottle cap detection</p> <p>Clean with warm water</p> <p>Multi-temperature environment</p>	<p>5、Grinder stop detection</p> <p>Grinding fluid</p> <p>Stop</p>	<p>6、Detect whether there is milk inside the paper packet</p> <p>Milk paper packet</p> <p>Unaccepted product (No milk)</p> <p>Propeller</p> <p>Accepted product</p>
<p>Water-proof type proximity switch</p>	<p>Water-proof type proximity switch</p>	<p>Capacitive type proximity switch</p>

Select factors:

Detected object	magnetic metal	inductive proximity sensor
	conventional object	capacitive proximity sensor
		photoelectric sensor
Detecting range	less than 50mm	proximity sensor
	greater than 50mm	photoelectric sensor
Detection mode	magnetic	hall effect sensor
		reed sensor
	infrared	photoelectric sensor
Installation dimension	cylindrical	cylindrical type
	square	square type
	groove	groove type
Connection	cable	cable type
	connector	connector type

Note: There are other factors like current, voltage, housing material, accessory and so on.